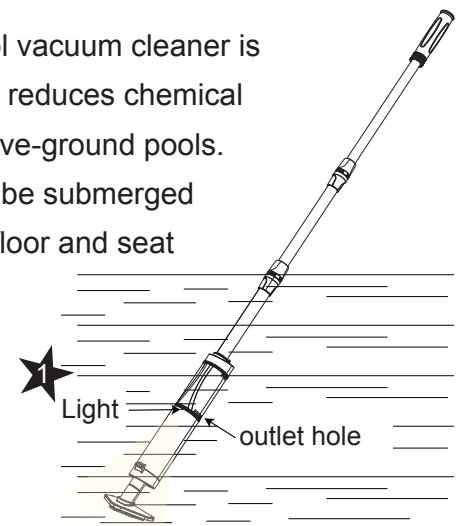


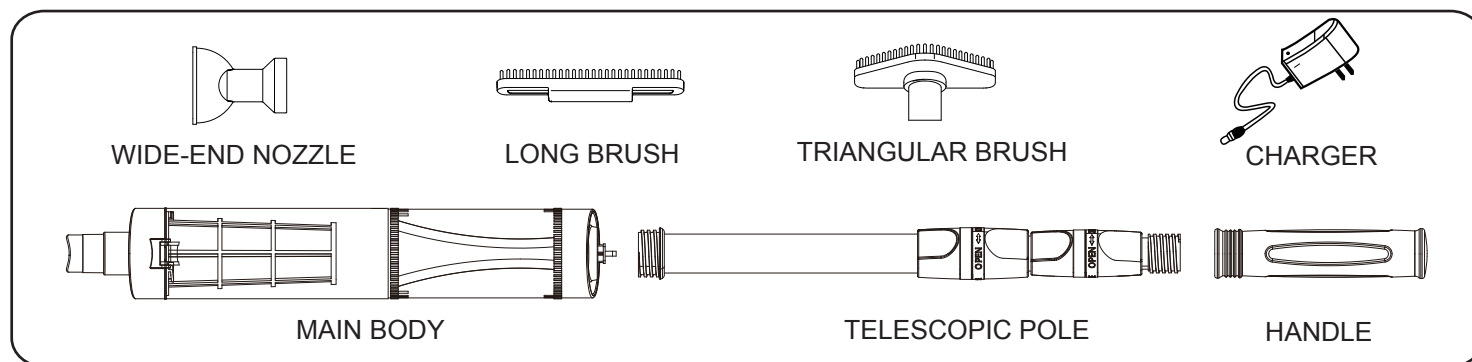
INSTRUCTION

Thank you for purchasing the spa/pool vacuum cleaner. The spa/pool vacuum cleaner is hand held rechargeable cleaner which is easy to use. It saves water and reduces chemical consumption in the cleaning process. It is suitable for most spa and above-ground pools. Please note that the outlet hole of the lower body (the right photo) must be submerged during operation to avoid damage to the pump. It is designed to collect floor and seat debris - it is not a surface skimming device.

The product is powered by 1600MAH rechargeable lithium polymer batteries, It takes about 3 hours to charge full electricity, use for about 2 hours after full charged. The charger used in this product is AC 100V-240V / ~50/60HZ output 12.6 v ~500ma.



Cleaners comes with parts as below



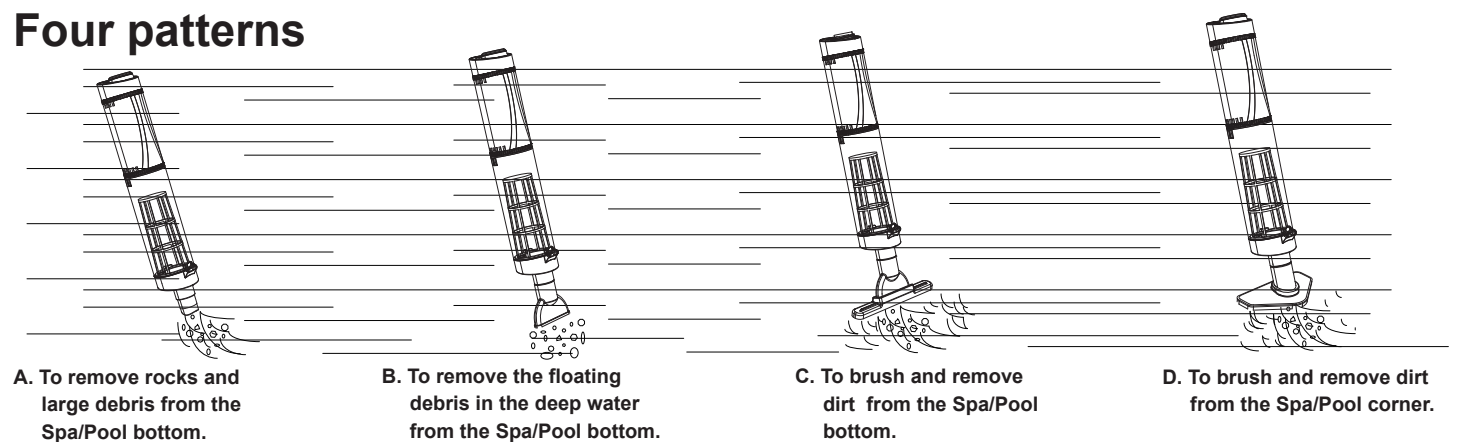
Charger Indicator
 a. The adapter indicator is red when charging.
 b. The adapter indicator is green after power is full.

1. Open the soft plug with fingers as shown in the picture.
2. Insert the adapter DC head into charging port as shown in the picture. Charging DC head have to be inserted in place to prevent sparking when charging is not tight.
3. Insert the charger into the AC100v-240v's power outlet. When charging, the charger indicator is red, and the charger indicator is green after power is full.
4. After the power is charged, remove the charger from power outlet, pull off the DC head from the charging port, and seal soft plug of the charging port. Now it is ready to use.

1. Assemble the handle with small end of the pole, main body with the other end.
2. Turn the ring in anti clockwise until feel it stop, adjust the length of alu pole you want, then turn the ring in clockwise to lock it.
3. Place the motorized head of cleaner into the spa/pool which more than 38cm water, it can start-up automatically.

When found no electricity, please confirm whether the cleaner is fully charged or long time no using. When electricity is weak after a period of time, please charge it in time.

Four patterns



How to clean the filter

1. Press the bottom and open the cover.
2. Take out the debris.
3. Pull out the filter screen directly, then flush it.
4. Put the filter screen back and cover it lightly, now it can be used again.

GENERAL MAINTENANCE

To ensure longevity of your cleaner some basic maintenance is required.

1. Periodically check the machine whether there is electricity in the batteries to ensure that the product can work normally when used. If you don't use it for a long time, please charge cleaner once half a month to extend the battery life.
2. Rinse the cleaner off after use with fresh water to prevent chemical damage.
3. Ensure the filter is clean after each use.
4. Never leave out in direct sunlight.
5. When testing the cleaner never run the motor out of water.
6. Never take the pump apart without prior consultation with the manufacturer.

TROUBLE SHOOTING

When the cleaner doesn't work, please pay attention to the following solutions.

1. Please confirm whether the cleaner is fully charged or have no power because of long time no using. Please recharge it.
2. Every time you charge the cleaner, remember to cover the soft plug of the charging port. If it is more than half a month no using after full charged, please recharge the electricity once again before use.